



US00D779828S

(12) **United States Design Patent** (10) **Patent No.:** **US D779,828 S**
Cronkshaw (45) **Date of Patent:** **** Feb. 28, 2017**

(54) **FOLDABLE BAG**

9,144,278 B2 * 9/2015 Morrow A45C 3/04
D768,378 S * 10/2016 Schilp D3/232
2004/0020813 A1 * 2/2004 Moeller A45C 11/00
206/425

(71) Applicant: **TROLLEY BAGS UK LTD**, Tiverton (GB)

(72) Inventor: **Joby Cronkshaw**, Tiverton (GB)

(73) Assignee: **TROLLEY BAGS UK LTD.**, Tiverton (GB)

(**) Term: **15 Years**

(21) Appl. No.: **29/546,056**

(22) Filed: **Nov. 18, 2015**

(30) **Foreign Application Priority Data**

May 19, 2015 (EM) 002703363-0001

(51) **LOC (10) Cl.** **03-02**

(52) **U.S. Cl.** **D3/315**

(58) **Field of Classification Search**

USPC D3/232, 233, 246, 276, 315
CPC A45C 7/009; A45C 7/0077; A45C 3/04
See application file for complete search history.

(56) **References Cited**

U.S. PATENT DOCUMENTS

D444,297 S * 7/2001 Starck D3/276
D548,459 S * 8/2007 Harvey D3/246
D562,555 S * 2/2008 Shapiro D3/303
D572,472 S * 7/2008 Saconay-Duhart D3/246
D630,844 S * 1/2011 Wang D3/232
D720,131 S * 12/2014 Siegel D3/233

FOREIGN PATENT DOCUMENTS

EM 001726472-0001 6/2010
EM 001726472-0002 6/2010
IE 09/0718 6/2010

* cited by examiner

Primary Examiner — Charles Hanson

(74) *Attorney, Agent, or Firm* — Crose Law LLC;
Bradley D. Crose

(57) **CLAIM**

The ornamental design for a foldable bag, as shown and described.

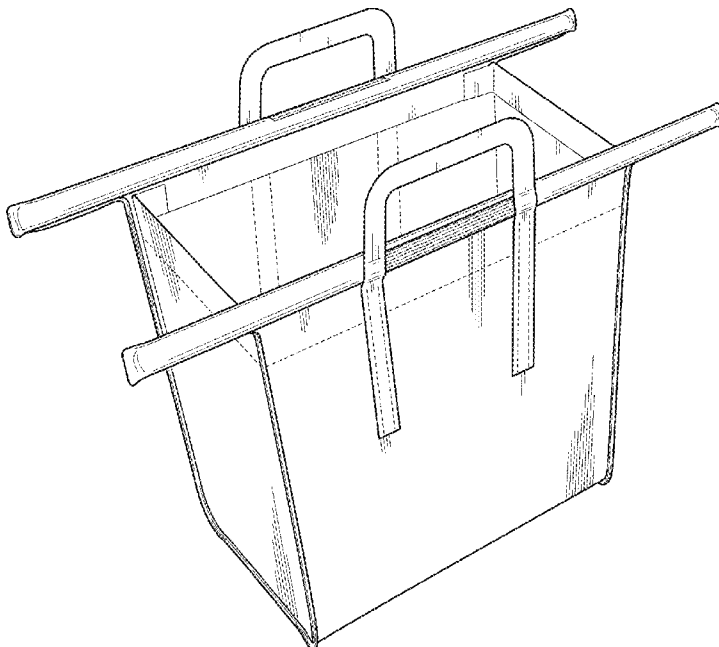
DESCRIPTION

FIG. 1 is a front perspective view of a foldable bag showing my new design;

FIG. 2 is a top perspective view thereof;
FIG. 3 is a side perspective view thereof;
FIG. 4 is a second front perspective view thereof;
FIG. 5 is a front plan view thereof;
FIG. 6 is a third front perspective view thereof;
FIG. 7 is an end perspective view thereof;
FIG. 8 is an end plan view thereof;
FIG. 9 is a bottom plan view thereof; and,
FIG. 10 is a top plan view thereof.

The broken lines shown in the drawings are included for the purpose of illustrating environmental structure and form no part of the claimed design.

1 Claim, 10 Drawing Sheets



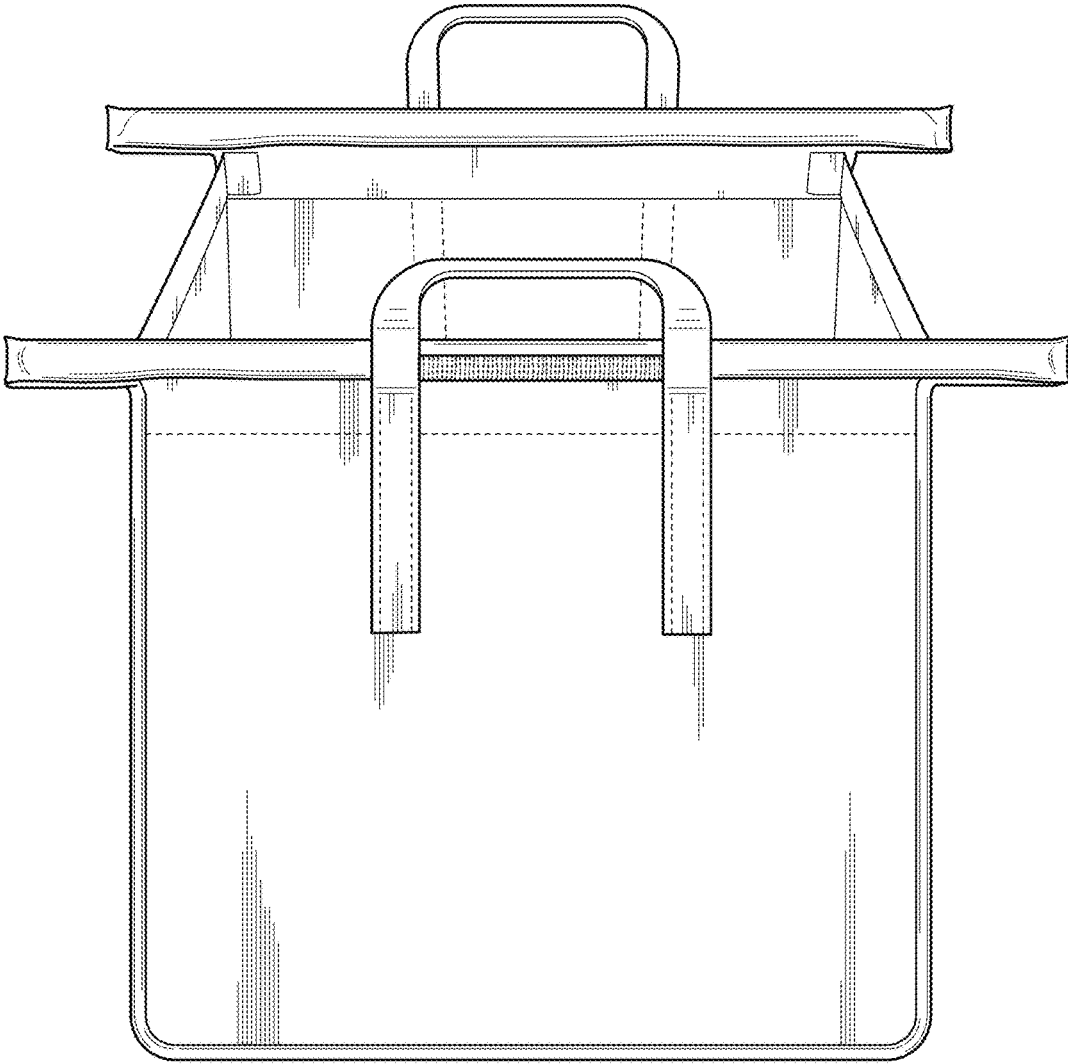


FIG. 1

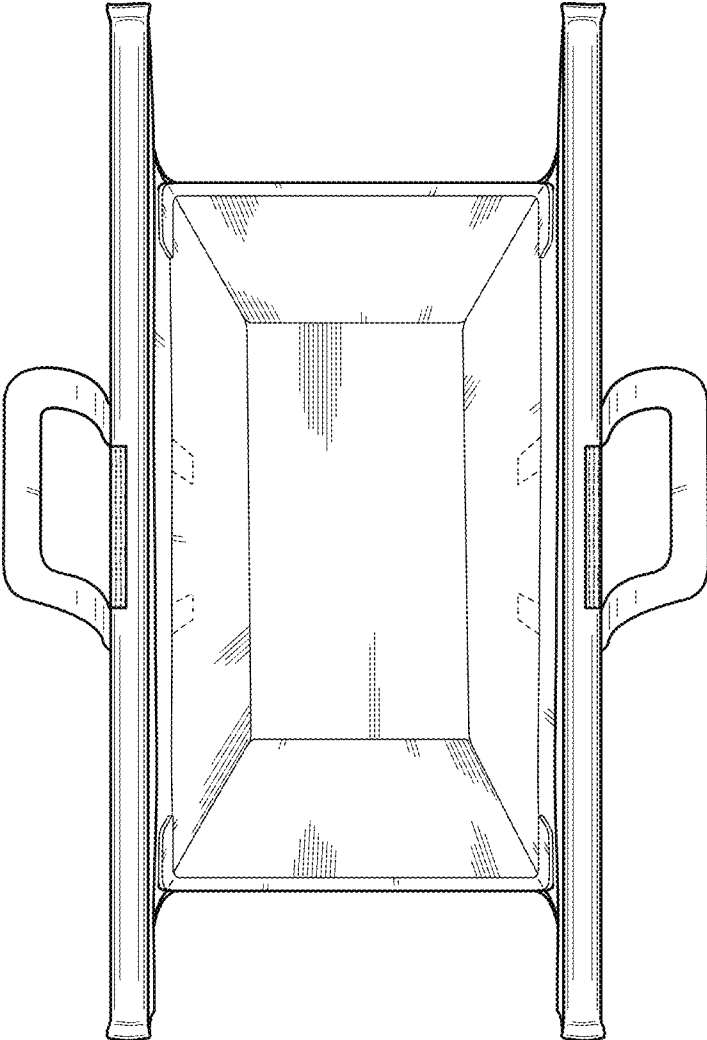


FIG. 2

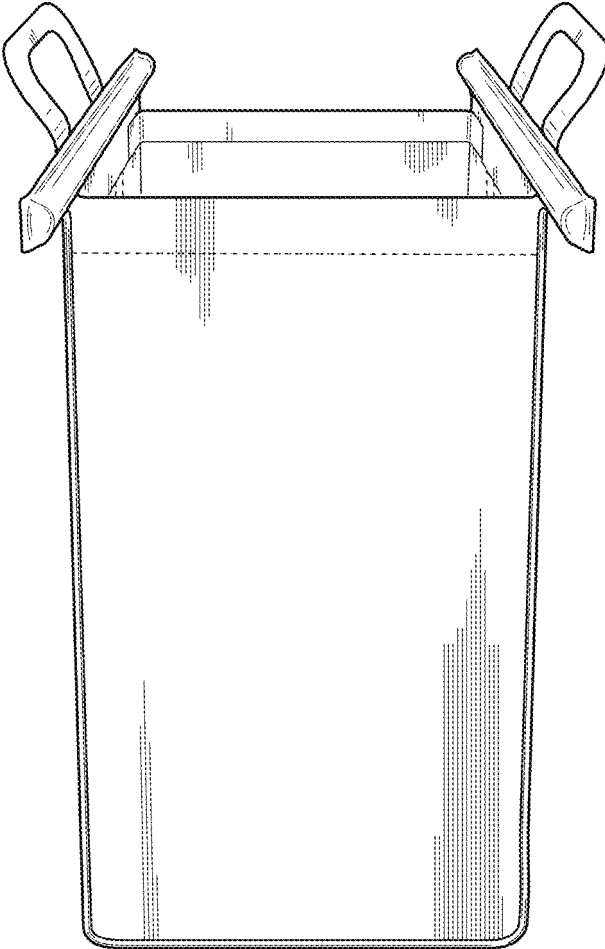


FIG. 3

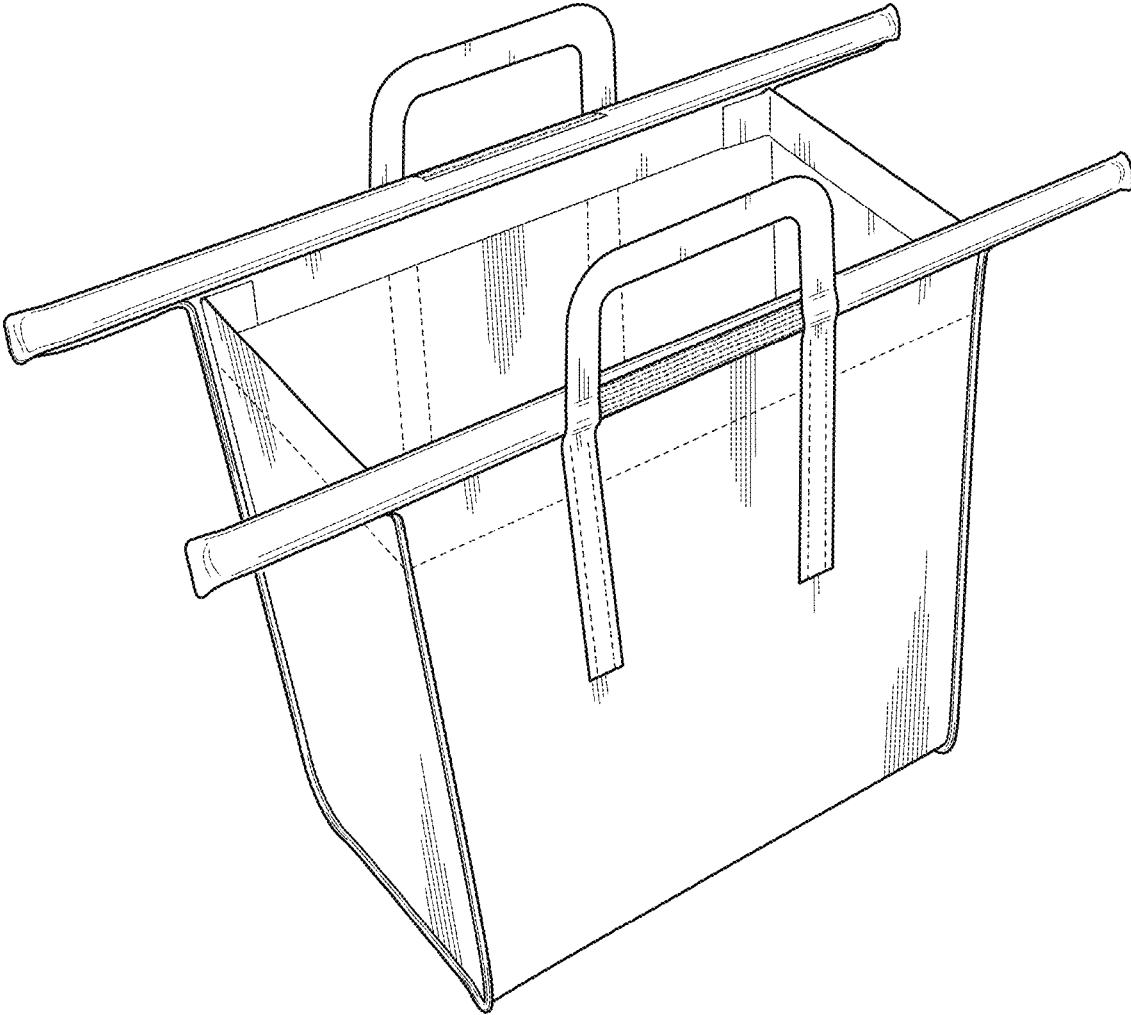


FIG. 4

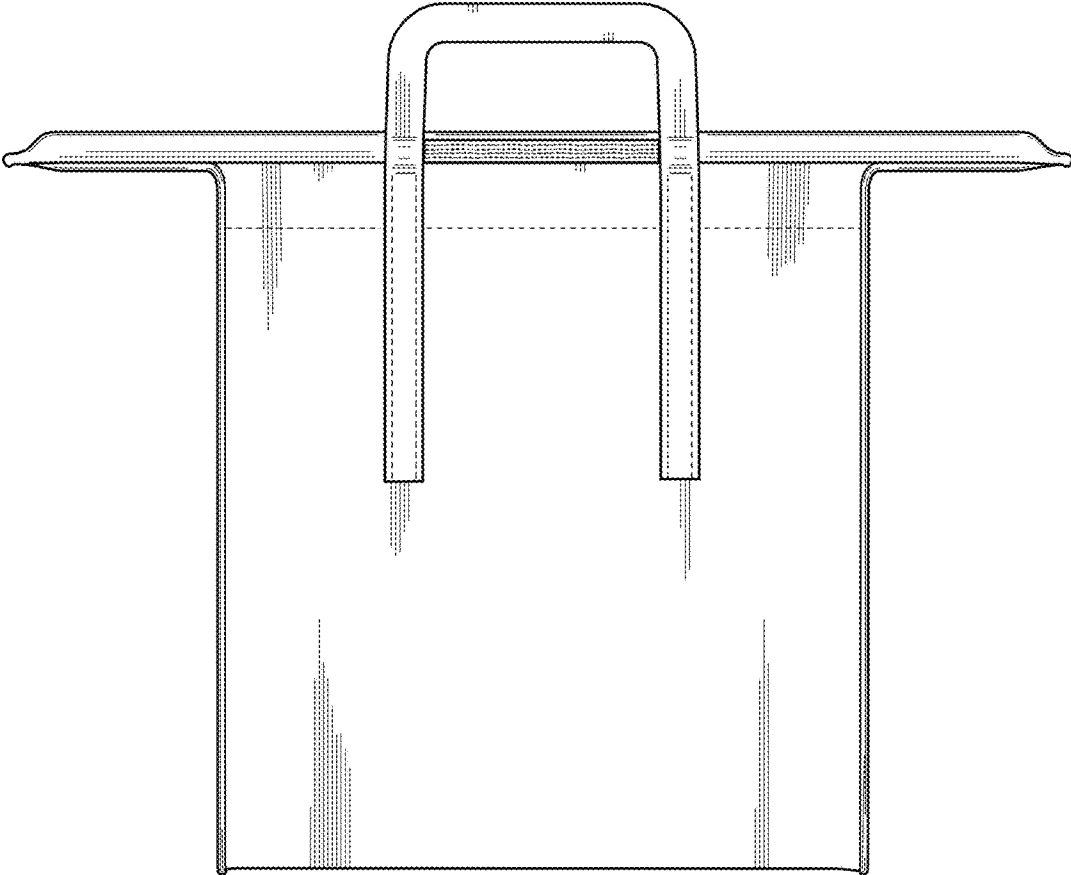


FIG. 5

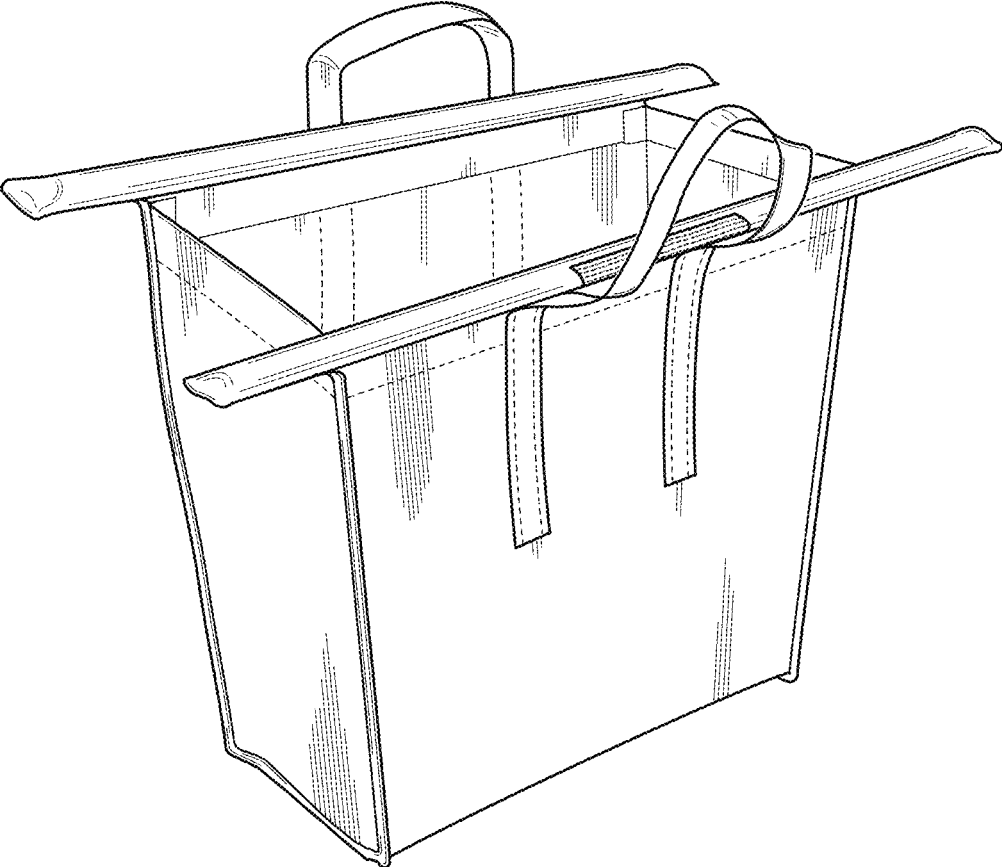


FIG. 6

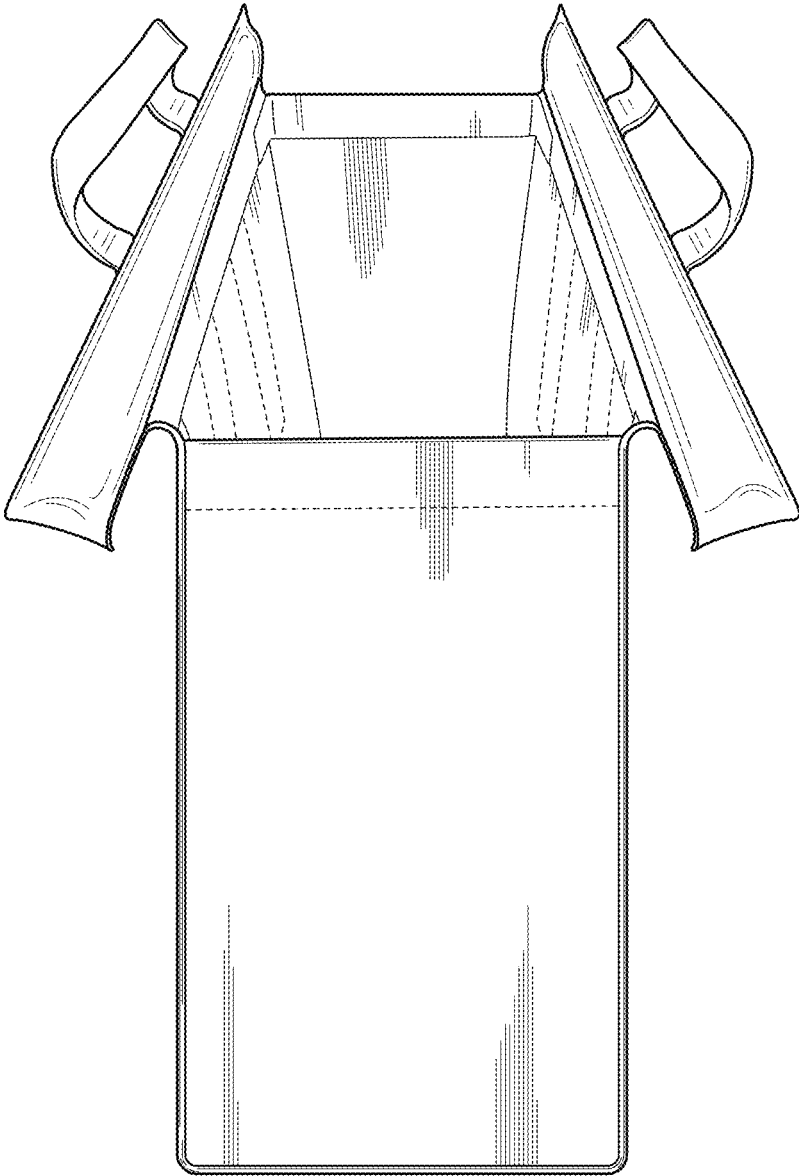


FIG. 7

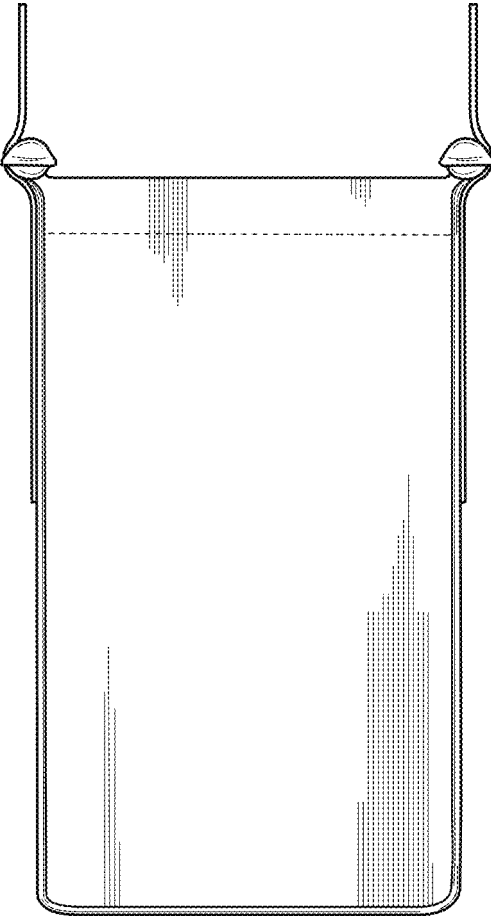


FIG. 8

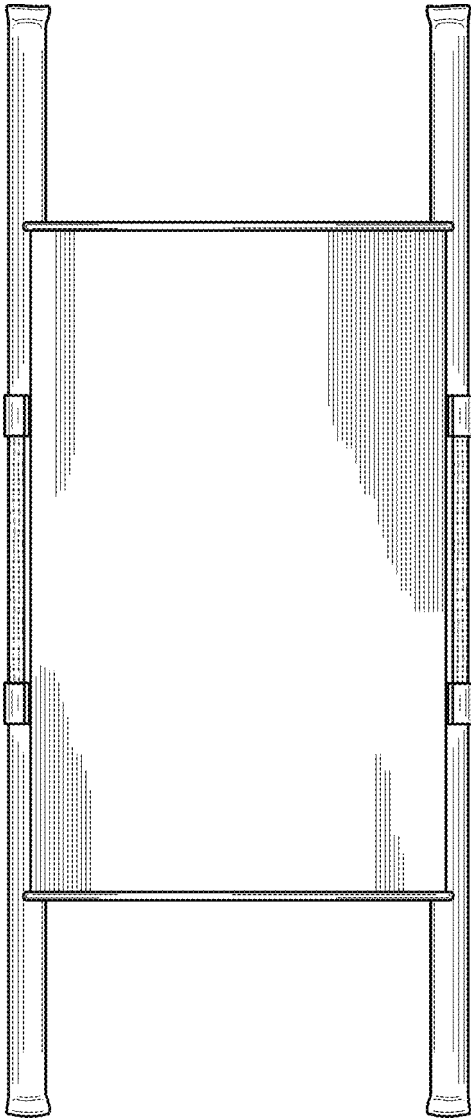


FIG. 9

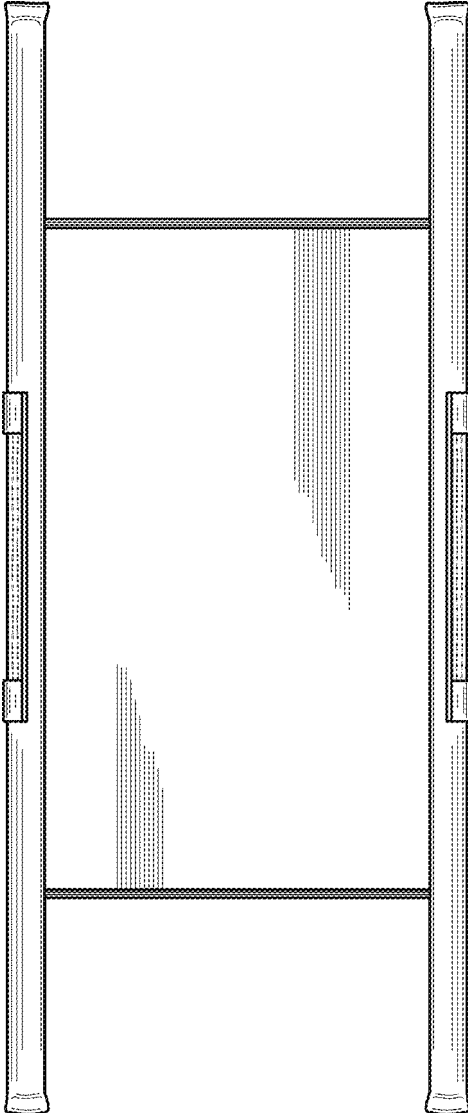


FIG. 10