



US00D668091S

(12) **United States Design Patent**
Zahner

(10) **Patent No.:** **US D668,091 S**

(45) **Date of Patent:** **** Oct. 2, 2012**

(54) **SHOWER CURTAIN**

(75) Inventor: **David Zahner**, New York, NY (US)

(73) Assignee: **Zahner Design Group, Ltd.**, New York, NY (US)

(**) Term: **14 Years**

(21) Appl. No.: **29/403,909**

(22) Filed: **Oct. 12, 2011**

Related U.S. Application Data

(60) Continuation of application No. 11/978,532, filed on Oct. 29, 2007, which is a continuation of application No. 11/209,334, filed on Aug. 23, 2005, now Pat. No. 7,296,609, which is a continuation of application No. 10/320,340, filed on Dec. 16, 2002, now Pat. No. 6,935,402, and a division of application No. 10/062,588, filed on Jul. 5, 2001, now Pat. No. 7,788,733, which is a continuation of application No. 09/738,555, filed on Dec. 15, 2000, now abandoned, which is a continuation of application No. 09/617,402, filed on Jul. 17, 2000, now Pat. No. 6,494,248, said application No. 10/320,340 is a division of application No. 09/916,603, filed on Jul. 27, 2001, now Pat. No. 7,058,988, which is a continuation of application No. 09/738,545, filed on Dec. 15, 2000, now abandoned.

(51) **LOC (9) Cl.** **06-10**

(52) **U.S. Cl.** **D6/580**

(58) **Field of Classification Search** D6/575, D6/576, 578, 579, 580, 581; 160/38, 39, 160/123, 168.1, 168.1 R, 168.1 V, 173, 173 R, 160/176.1 R, 176.1 V, 178.1 R, 178.2, 331, 160/349.1; 318/16, 17, 600; 340/854.5; 84/10; D15/28; D8/367

See application file for complete search history.

(56) **References Cited**

U.S. PATENT DOCUMENTS

554,066	A	2/1896	Jager
635,295	A	10/1899	Brown
759,045	A	5/1904	Tracy
987,983	A	3/1911	Harris
996,886	A	7/1911	Schneider
1,193,891	A	8/1916	Greene
1,338,783	A	5/1920	Lobar
1,345,547	A	7/1920	McDonald
1,564,301	A	12/1925	Wilson
1,687,859	A	10/1928	Fontaine
1,831,776	A	11/1931	Nelson
1,957,096	A	5/1934	Connell
1,990,278	A	2/1935	Friedman

(Continued)

FOREIGN PATENT DOCUMENTS

GB 1490667 11/1977

Primary Examiner — Susan Bennett Hattan

Assistant Examiner — Barbara B Lohr

(74) *Attorney, Agent, or Firm* — Goldberg Cohen LLP

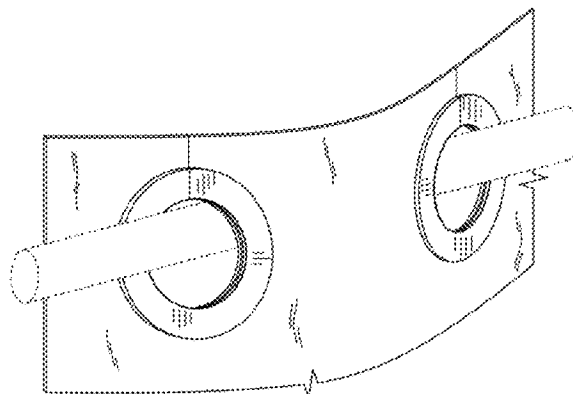
(57) **CLAIM**

I claim the ornamental design for a shower curtain, as shown and described.

DESCRIPTION

FIG. 1 is a perspective view of the shower curtain of the present invention (when in use on a shower curtain rod); FIG. 2 is a front view thereof; FIG. 3 is a back view thereof; FIG. 4 is a right side view thereof, with the left side view being a mirror image thereof; FIG. 5 is a top view thereof; FIG. 6 is a bottom view thereof; and, FIG. 7 is a front view of the shower curtain of the present invention (when not in use on a shower curtain rod). The broken lines in the drawing depict environmental subject matter only and form no part of the claimed design.

1 Claim, 4 Drawing Sheets



US D668,091 S

Page 2

U.S. PATENT DOCUMENTS

2,011,815 A	8/1935	Johnson	4,718,962 A	1/1988	Goodwin	
2,551,384 A	5/1951	Middleton et al.	5,101,877 A	4/1992	Subecz et al.	
2,666,481 A	1/1954	White	5,111,868 A	5/1992	Sawaya	
2,711,555 A	6/1955	Hanson	5,186,232 A	2/1993	Zahner	
2,828,900 A	4/1958	Le Roy	5,367,742 A	11/1994	Bindman	
2,831,353 A	4/1958	Lishman	5,421,059 A	6/1995	Leffers, Jr.	
2,897,535 A	8/1959	Radler	5,590,972 A	1/1997	Shobin	
3,115,181 A	12/1963	Snyder	5,806,141 A	9/1998	Kolisch	
3,388,734 A	6/1968	Silvestre	6,189,597 B1	2/2001	Cheng	
3,772,734 A	11/1973	Kimel	D551,950 S *	10/2007	Davenport	D8/367
3,897,535 A	7/1975	Lapac et al.	D583,602 S *	12/2008	Pannell	D6/575
4,031,943 A	6/1977	Silvestre	7,909,082 B2 *	3/2011	Peoples	160/123

* cited by examiner

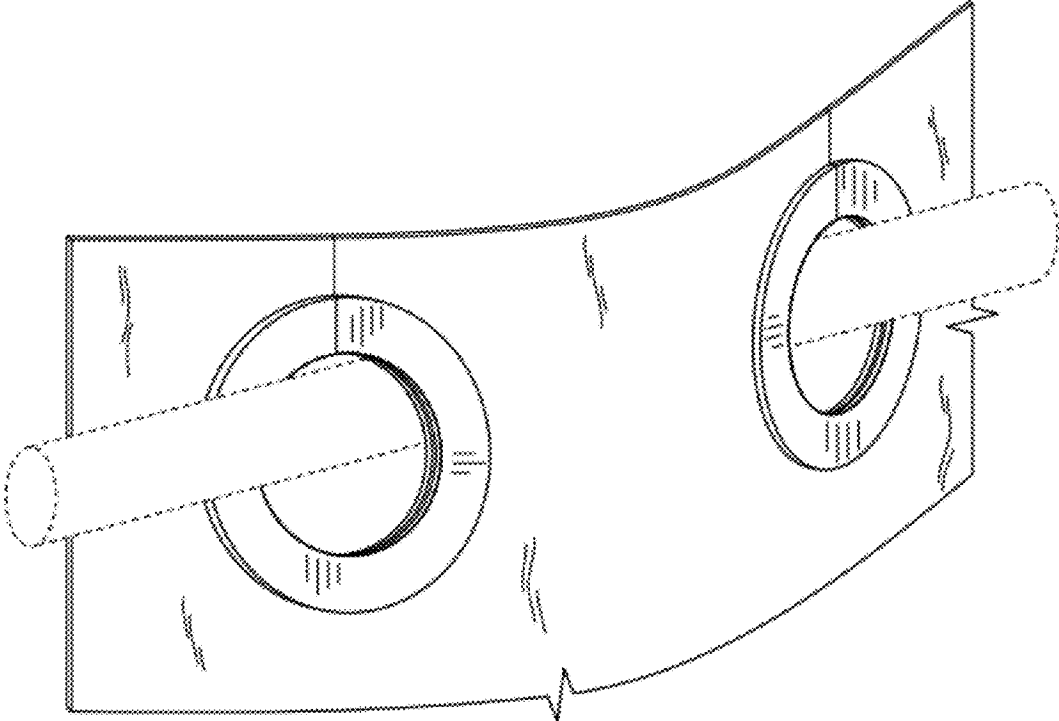


FIG. 1

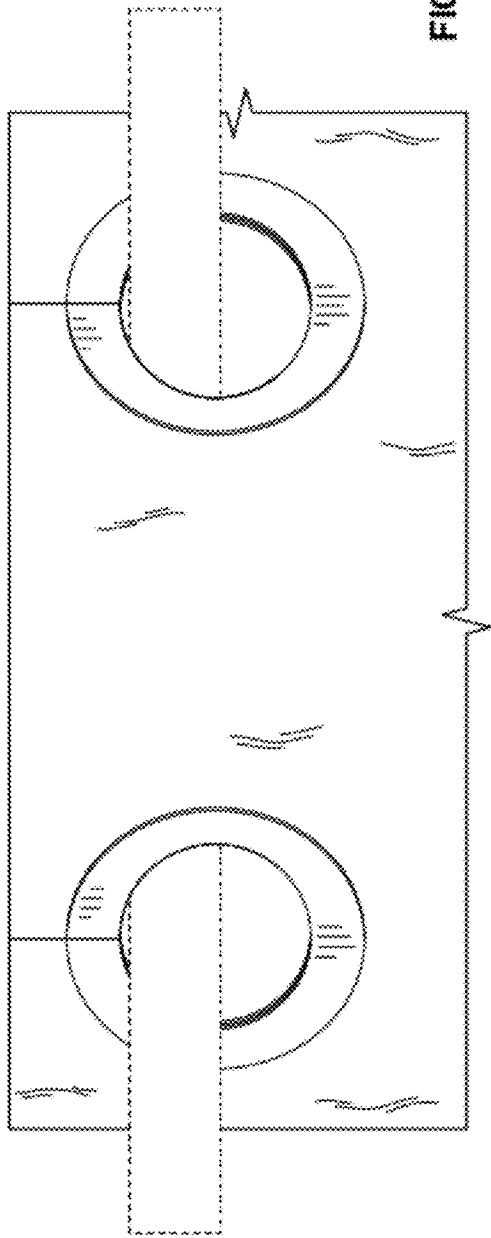


FIG. 2

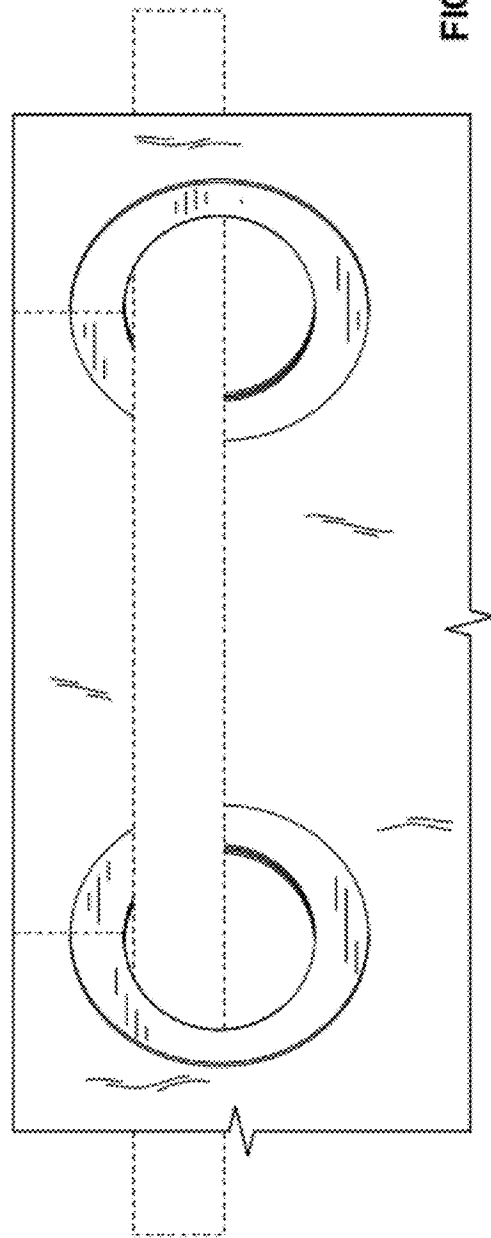


FIG. 3

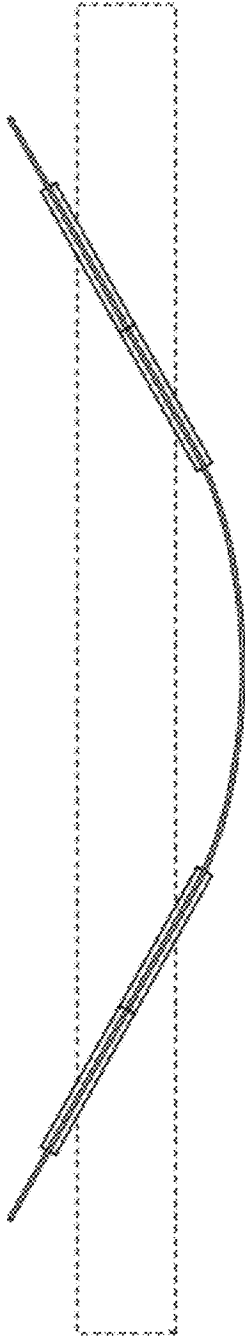


FIG. 5

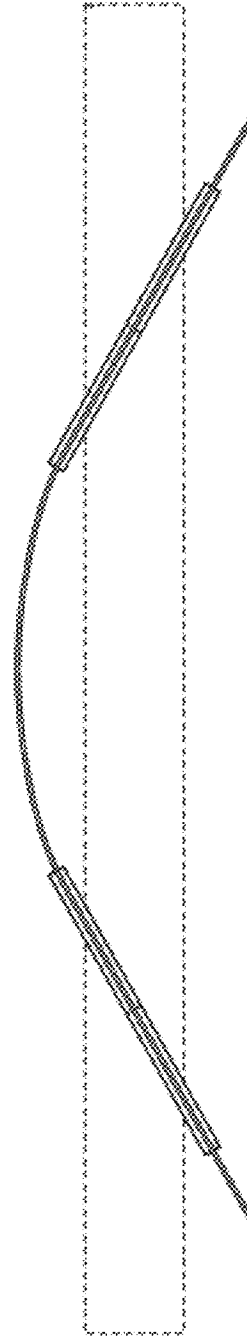


FIG. 6

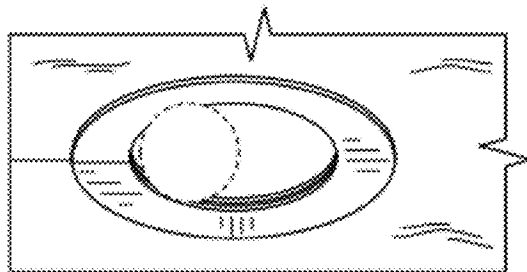


FIG. 4

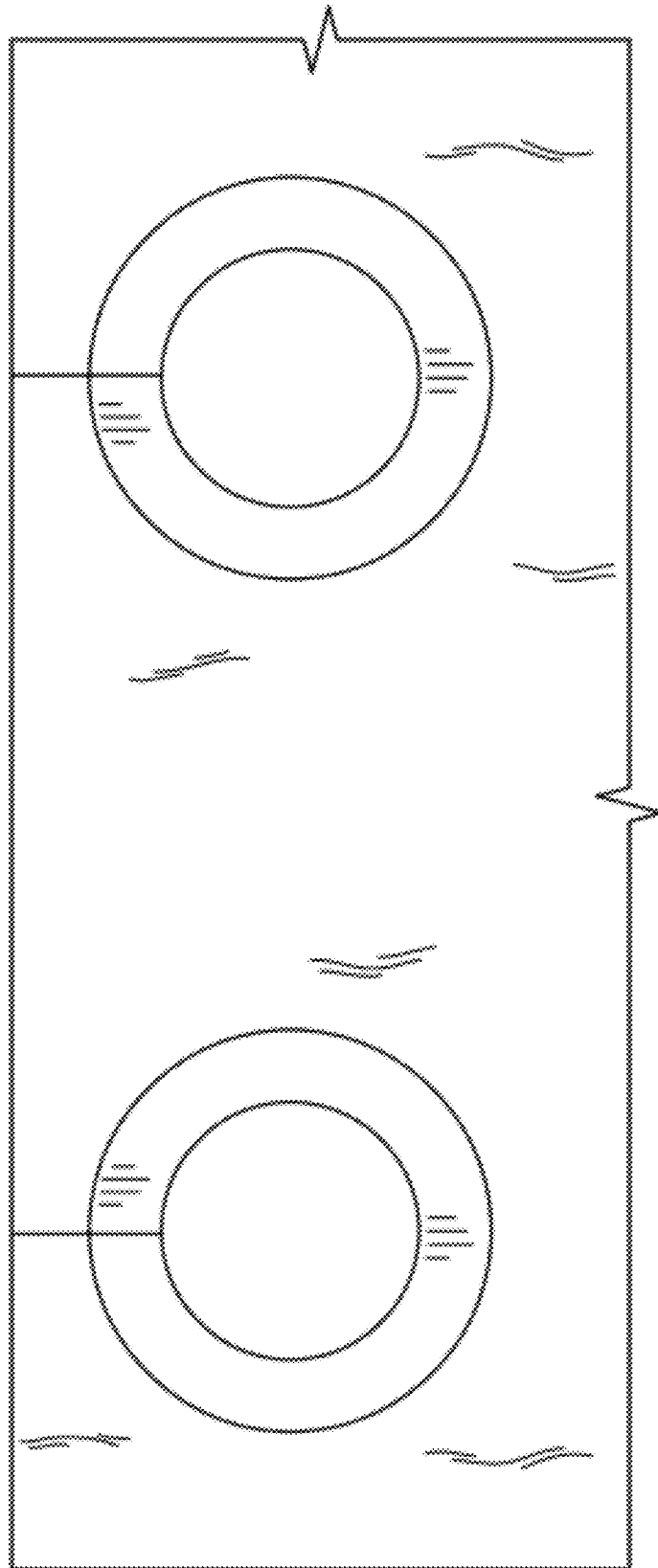


FIG. 7